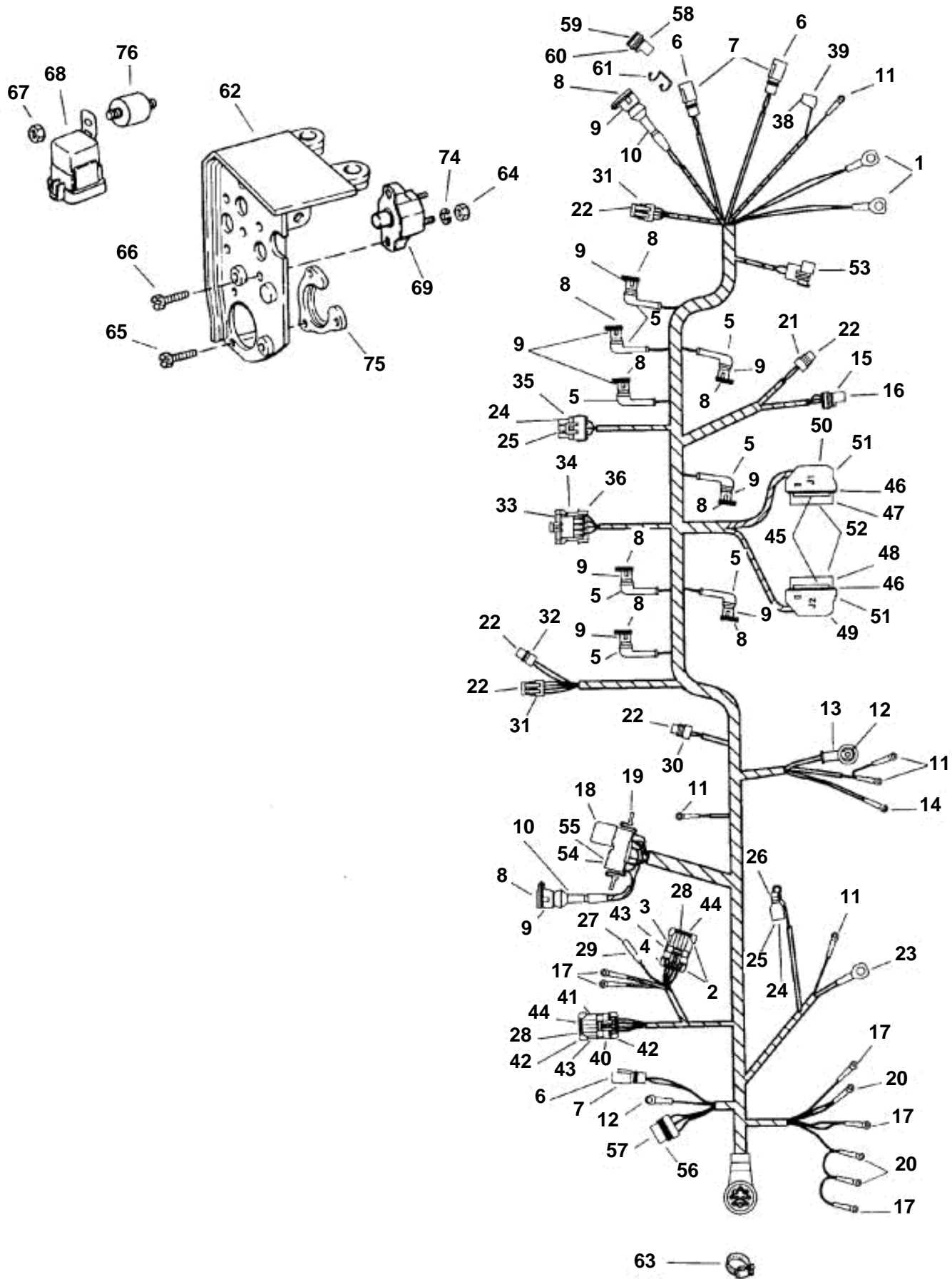


ENGINE WIRE HARNESS & BRACKET, Gi / GSI



ENGINE WIRE HARNESS & BRACKET, Gi / GSi

REF	PART NO.	QTY	DESCRIPTION	NOTES
	3856499	1	Cable harness, Gi, GSi	Not shown
1	3852527	2	· Cable terminal	
2	3855263	X	· Cap, 4-pin connector	
3	3855420	X	· Cable harness, 4-pin	
4	3855239	1	· Connector, 4-pin	
5	3853711	8	· Cable sleeve	
6	3852229	6	· Cable terminal, Pin	
7	3853565	3	· Connector, 2-pin	
8	3853679	20	· Cable terminal	
9	3855021	10	· Housing	
10	3853681	2	· Cover	
11	3852233	5	· Cable terminal	
12	3852107	X	· Cable terminal, 0.25	
13	3852130	1	· Rubber cap	
14	3852036	1	· Cable terminal, #10	
15	3855077	1	· Connector, 6-socket plug	
16	3852257	6	· Cable terminal	
17	3852235	5	· Cable terminal, #10	
18	3850403	X	· Relay, Fuel pump	
19	3852210	1	· Bracket	
20	3854245	3	· Cable terminal	
21		1	· CONNECTOR, MAT sensor	
22	3855242	15	· Cable terminal	
23	3855022	X	· Cable terminal, 0.375	
24	3855023	X	· Cable terminal	
25	3853478	X	· Seal	
26	3853480	X	· Terminal casing	
27	3855024	1	· Cable terminal, Socket	
28	3855243	9	· Seal	
29	3855025	1	· Cable sleeve, Receptacle, green	
30	3855244	1	· Connector	
31	3855027	2	· Cable terminal, 4-terminal	
32	3855245	1	· Connector	
33	3855246	1	· Cable terminal	
34	3855247	1	· Connector	
35	3855248	1	· Connector	
36	3855249	1	· Connector, 5-pin connector	
37	3852527	2	· Cable terminal, 0.375	
38	3852084	1	· Cable terminal, Side rcpt	
39	3853320	1	· Cover	
40	3855251	1	· Connector	
41	3855252	1	· Connector	
42	3855253	2	· Cap, Connector	
43	3855267	9	· Cable terminal	
44	3855254	19	· Plug	
45	3855255	2	· Connector, Connector	
46	3855256	2	· Seal	
47	3855257	1	· Connector, Connector, J1 module	
48	3855258	1	· Connector, Connector, J2 module	
49	3855259	1	· Connector housing, J2 module	
50	3855260	1	· Connector housing, J1 module	
51	3855261	28	· Plug	
52	3855262	36	· Cable terminal	
53	3854244	1	· Cable, 2/C	
54	3852246	5	· Cable terminal, Receptacle, 0.250	
55	3852247	X	· Cable terminal, Receptacle, 0.250	
56	3852239	1	· Pin connector, 3-socket plug	
	3854192	1	· Connector	
57	3852254	4	· Cable terminal, Receptacle	
58	3855178	1	Connector, Master / slave	
59	3852230	2	· Plug	
60	3853564	1	· Connector	
	3852158	1	Lock strap, Master / slave connector	
61	3852237	1	Retainer, Amphenol., master / slave	

7797420 - - 0-0010

GR950340

Upd: 22 NOV 2005

LK 7.4, 8.2 Liter Engines

VOLVO
PENTA

ENGINE WIRE HARNESS & BRACKET, Gi / GSi

REF	PART NO.	QTY	DESCRIPTION	NOTES
62	3850455	1	Bracket, Circuit breaker & engine cable	
63	3853786	1	Clamp, Engine cable end	
64	3852064	8	Nut, Circuit breaker	
65	3852208	3	Screw, Retainer	Engine cable end
66	3853620	2	Screw, Circuit breaker to bracket	Tilt & trim
	3853620	2	Screw, Circuit breaker to bracket	Engine
67	3852118	1	Nut, Relay to isolator	
68	3854164	1	Fuse, 50A	Tilt & trim
	3854138	1	Relay, Starter motor	
69	3854162	1	Breaker, 12.5A, electronic engine control	
	3854186	1	Fuse, 60A, engine	
74	3852001	8	Lock washer, Circuit breaker	
75	3852825	1	Retainer, Engine cable	
76	3850234	1	Isolation, Relay mounting	
	3854117	1	Cable, Starter solenoid to fuel pump	Not shown
	3855162	1	Connector, Shift connectors	Not shown